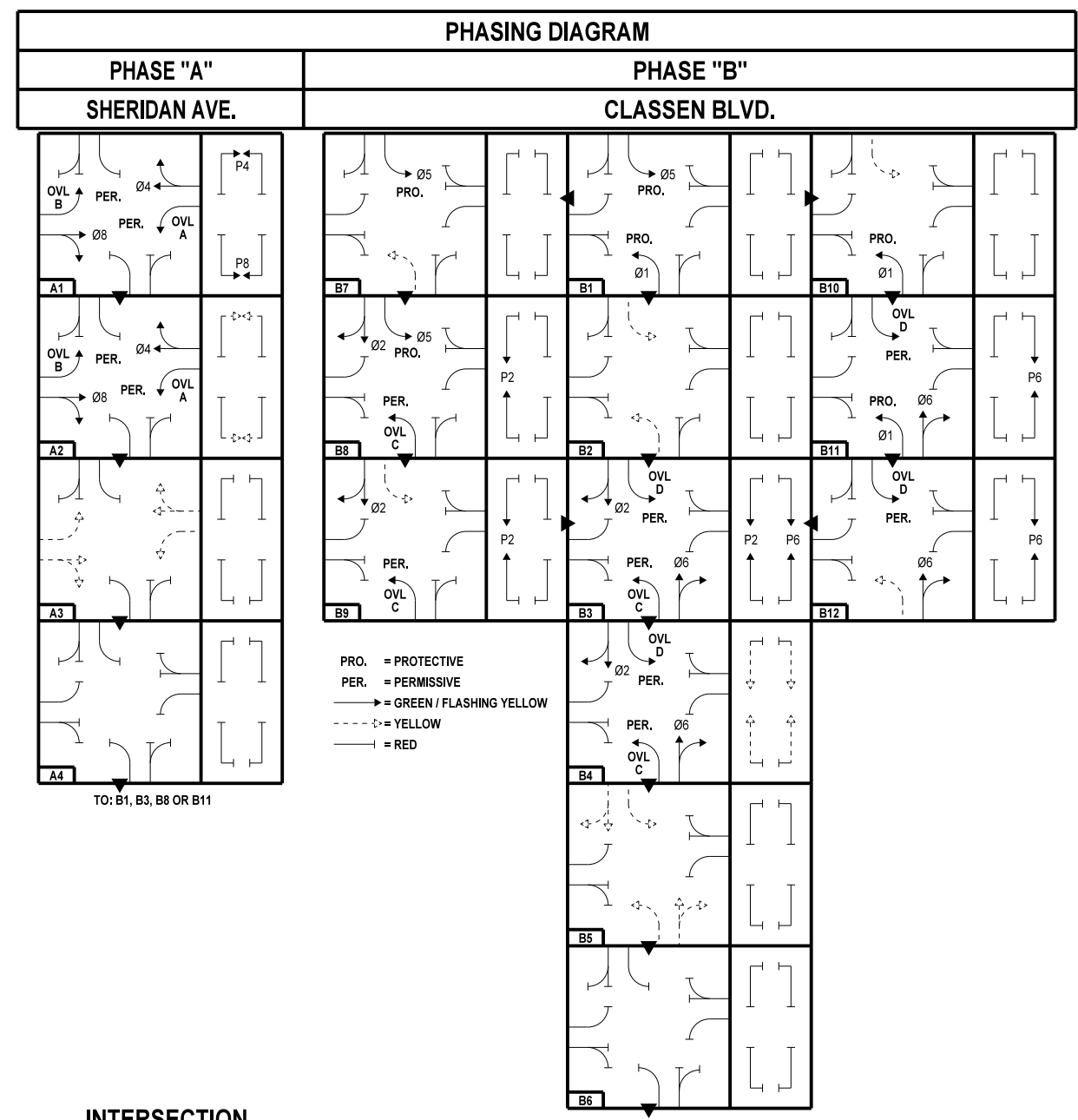
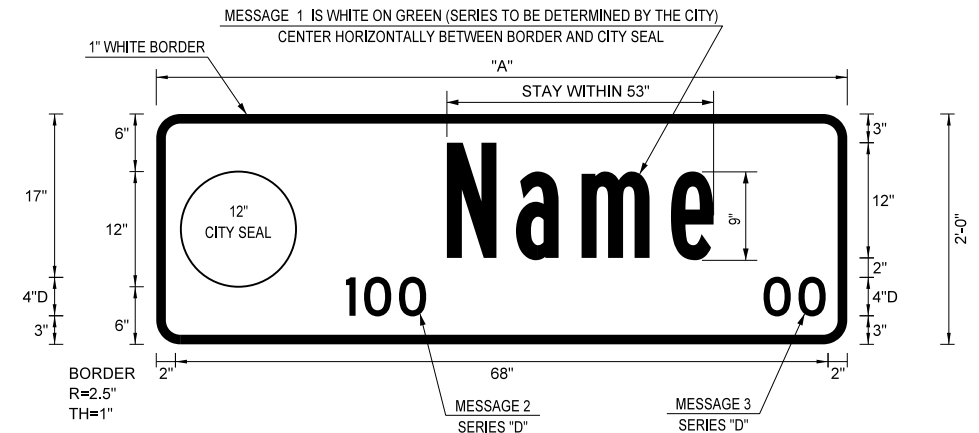
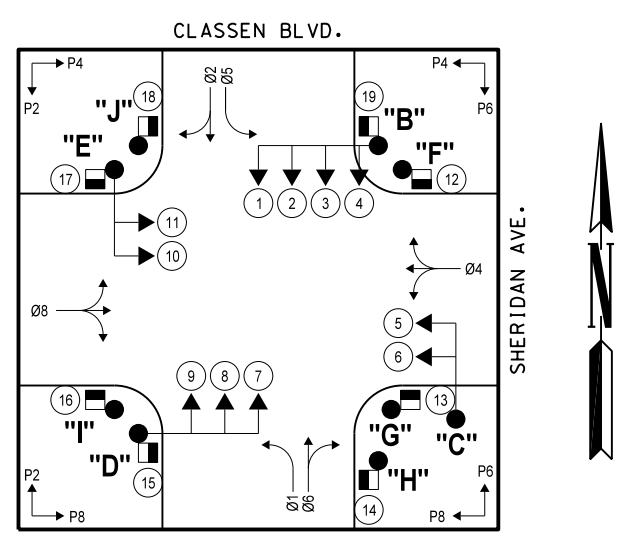


REVISIONS		
NO.	DESCRIPTION	DATE



DIRECTION		BLOCK NO.	PHASE																	
			Ø1	Ø6	Ø8	Ø5	Ø2	Ø4	P6	P8	P2	P4	SIGNAL HEAD NO.							
			1	2,3,4	5,6	7	8,9	10,11	12,13	14,15	16,17	18,19								
Ø4, Ø8, P4, P8 ROW	A1	←R	R	G	←R	R	G	DW	W	DW	W									
Ø4, Ø8 ROW & P4, P8 CL	A2	←R	R	G	←R	R	G	DW	FDW	DW	FDW									
Ø4, Ø8 CL	A3	←R	R	Y	←R	R	Y	DW	DW	DW	DW									
ALL RED	A4	←R	R	R	←R	R	R	DW	DW	DW	DW									
Ø5, Ø1 ROW	B1	←G	R	R	←G	R	R	DW	DW	DW	DW									
Ø5, Ø1 CL	B2	←Y	R	R	←Y	R	R	DW	DW	DW	DW									
Ø1, Ø6, Ø5, Ø2, P6, P2 ROW	B3	←F	G	R	←F	G	R	W	DW	W	DW									
Ø1, Ø6, Ø5, Ø2 ROW & P6, P2 CL	B4	←F	G	R	←F	G	R	FDW	DW	FDW	DW									
Ø1, Ø6, Ø5, Ø2 CL	B5	←Y	Y	R	←Y	Y	R	DW	DW	DW	DW									
ALL RED	B6	←R	R	R	←R	R	R	DW	DW	DW	DW									
Ø5 ROW & Ø1 CL	B7	←Y	R	R	←G	R	R	DW	DW	DW	DW									
Ø1, Ø5, Ø2, P2 ROW	B8	←F	R	R	←G	G	R	DW	DW	W	DW									
Ø1, Ø2, P2 ROW & Ø5 CL	B9	←F	R	R	←Y	G	R	DW	DW	W	DW									
Ø1 ROW & Ø5 CL	B10	←G	R	R	←Y	R	R	DW	DW	DW	DW									
Ø1, Ø6, Ø5, P6 ROW	B11	←G	G	R	←F	R	R	W	DW	DW	DW									
Ø6, P6 ROW & Ø1 CL	B12	←Y	G	R	←F	R	R	W	DW	DW	DW									
FLASHING OPERATION	-	←FR	FR	FR	←FR	FR	FR	-	-	-	-									

INTERSECTION PHASING & SIGNAL HEAD NO.'S

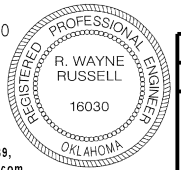


SUMMARY OF MAST ARM MOUNTED SIGNS							
MESSAGE 1	MESSAGE 2	MESSAGE 3	POLE LOCATION	A (IN.)	HEIGHT (IN.)	SIGN AREA (S.F.)	TOTAL (S.F.)
Sheridan Ave			D	72.00	24.00	12.00	12.00
R10-12M	--	--	B+D	30.00	36.00	7.50	15.00
TOTAL							27.00

NOTE:
THE CONTRACTOR SHALL CONTACT THE CITY OF OKLAHOMA CITY TO OBTAIN THE HUNDRED BLOCK NO. (MESSAGE 2 & 3) IF NEEDED.

08/08/17 G:\0\Projects\1-2417A Downtown Blvd WP 5.B Task 5\CAD\SHERIDAN & CLASSEN DET.dgn

R. Wayne Russell
R. WAYNE RUSSELL, P.E. # 16030
C.A. # 1160, RENEWAL 06-30-19
8-8-17
DATE



Design RWR 08/08/17
Drawn GDB 08/08/17



SIGNAL DETAIL PLAN
SHERIDAN AVE. & CLASSEN BLVD.

Project No. 174428(88) Sheet No. 151